



### High-frequency transformer

#### EE12.5 Series

#### Parameters/Dimensions:

##### EE12.5 Type 1

Information:

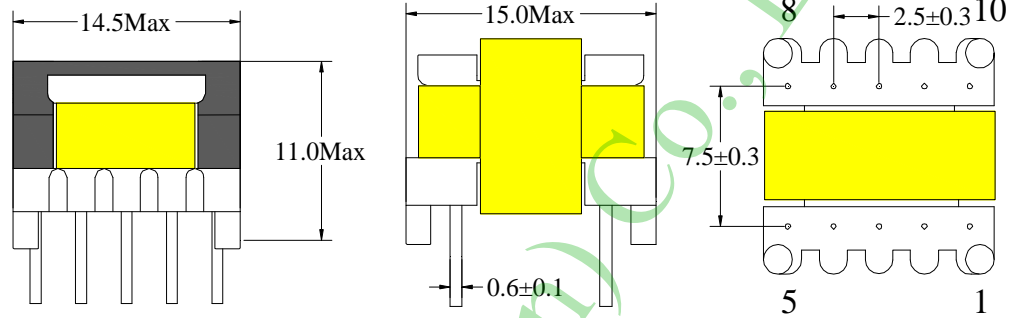
Shape: EE12.5

1 Power:7W

2 Mounting Orientation: Vertical

3 Size: 14.5 (W) \* 15(L) \* 11 (H)

4 Effective Ae (mm<sup>2</sup>): 15.6



##### EE12.5 Type 2

Information:

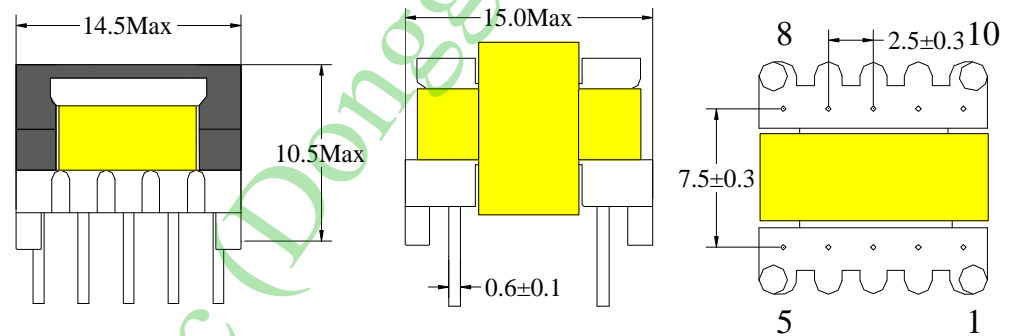
Shape: EE12.5

1 Power:7W

2 Mounting Orientation: Vertical

3 Size: 14.5(W) \* 15(L) \* 10.5 (H)

4 Effective Ae (mm<sup>2</sup>): 15.6



#### Note:

Bobbin type listed in the traditional style, transformer design parameters to customer needs or to inject prevail.

#### EE series high-frequency transformer features:

Lead space, easy winding wire. Applicable to a wide range of high frequency, wide operating voltage range, output power, good thermal stability

#### Uses:

Program-controlled switches are widely used in power supplies, LCD power supply, UPS power inverter power supply, computer power, energy-saving lamps and other fields.